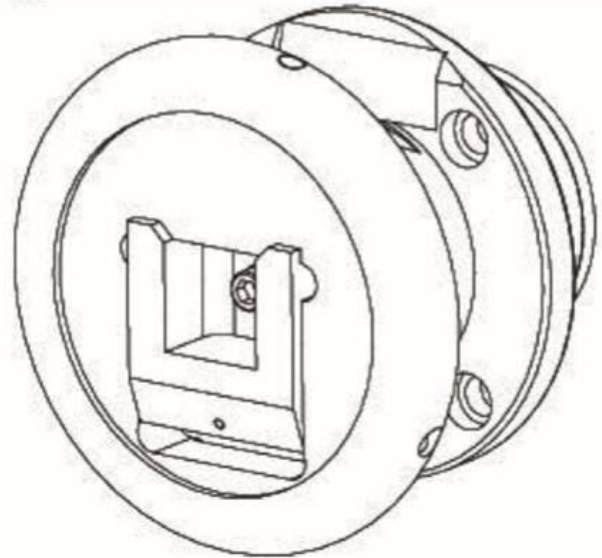
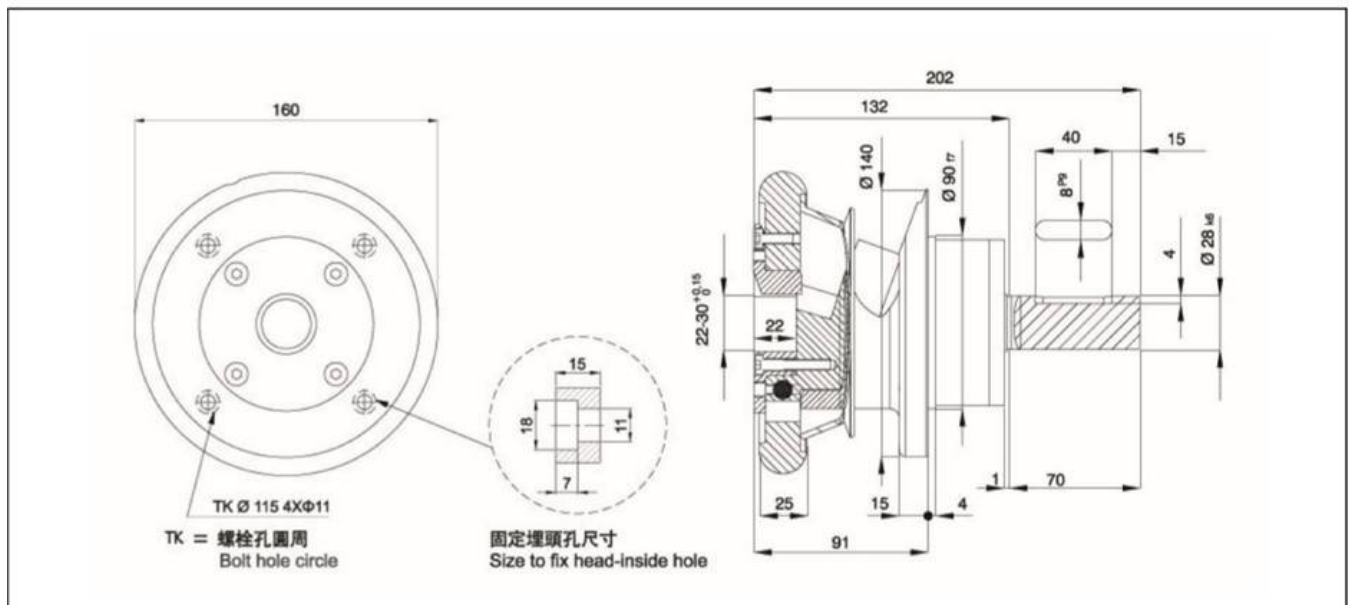


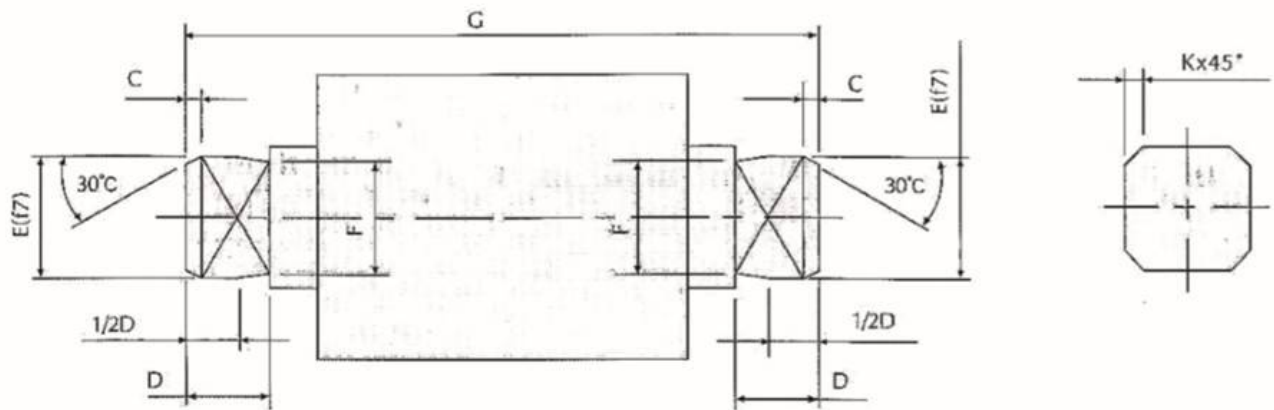
safety chuck

Safety chuck can work frequently to link rotation or release action, providing fast, real, simple and secure coupling. Exact machining precision can ensure accurate positioning. Reel holding mouth adopts a special heat treatment technology. Replaceable VT-type reel holding mouth can be provided, which will extend greatly its service life.



FLO/FLW 28





Model	FLO/FLW 28-	STO/STW 28-
Maximum load weight [kg]	800	800
Withstand the maximum torque kg/m [N/m]	18 (180)	18 (180)
Reel end permissible size [mm]	22-30	22-30
Weight [kg]	18	18

Product link : <https://www.airshaft-china.com/?p=1328>